



PRODUCT INFORMATION LiteBench-ST_TY_EN - 03.02.2023 - www.vs-furniture.com

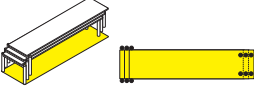
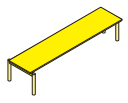
LiteBench-ST Stackable bench.

Frame made from welded round tubular steel legs with all-round rectangular tubular steel top frame, all powder-coated. Because the inner and outer legs are arranged in pairs, the bench is stackable. What is more, they can be rotated to form continuous rows. The edge of the top frame is equipped with stacking and glide protection. Benches with glide elements for hard or soft floorings or with 2C universal glide elements.

Bench in 6 fixed heights.

Seat top Consisting of a HPL or chipboard top and glued (KU) plastic border. Available with edged or rounded corners as required.

The following material groups are available to choose from: Frame made of steel: M1; Top made of chipboard: L4; HPL-top: L4; Chipboard with laminate: L9.

	Seating heights for students' benches h = 310 ● 2 h = 350 ● 3 h = 380 ● 4 h = 430 ● 5 h = 460 ● 6 h = 510 ● 7	* w-d footprint 					
LiteBench-ST	d = 35		31083	31084	31085	31086	31087
	w		150	170	190	210	230
	for table w		160	180	200	220	240
	h DIN EN		2-3-4-5-6-7				
	max. stacking height		4				
	w footprint max. *		165	185	205	225	245
	d footprint *		43				
	Weight kg		15,5	17,0	18,5	20,0	21,5